



www.KTCEP.com

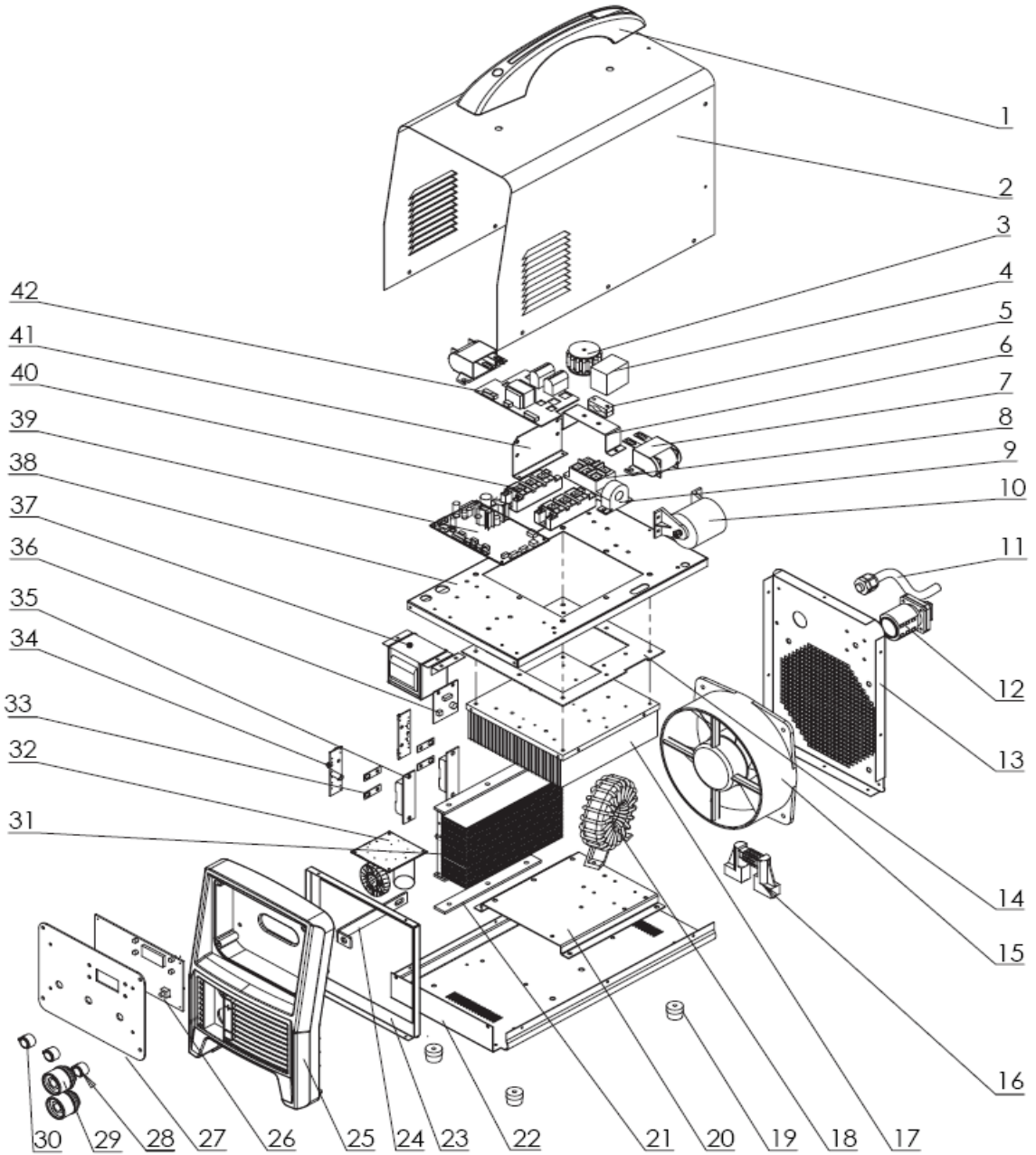


EQUIPO SOLDADOR SMAW INVERSOR 400AMP DC 60@220V 3PH 220V MMA

Referencia

410-ULTRA400

VISTA EXPLOSIONADA



LISTADO DE PARTES

REFERENCIA	DESCRIPCIÓN	CANTIDAD
1	Combination handle	1
2	Outer cover	1
3	Common mode inductor wiring harness	1
4	Combined capacitance	1
5	Crimping board	2
6	Common mode inductor fixed board	1
7	Filter capacitor	2
8	Three-phase rectifier bridge	1
9	Transformer wiring harness	1
10	Filter capacitor	1
11	Power input wiring harness	1
12	Universal transfer switch	1
13	Back panel	1
14	Radiator insulation board	1
15	Axial Fan	1
16	Filter inductor	1
17	heat sink	1
18	Main transformer	1
19	Machine feet	4
20	Radiator fixing plate	1
21	Radiator insulation strip	1
22	Chassis plate spraying	1
23	Mounting plate support plate	1
24	Bus	1
25	Plastic front panel	1
26	Panel	1
27	Printing board support plate	1
28	Potentiometer knob	1
29	Quick socket	2
30	Potentiometer knob	2
31	Heat sink	1
32	LC board	1
33	Connecting copper bar for fast recovery radiator	4
34	Secondary absorption board	2
35	Fast recovery diode module	2
36	Load resistance and capacitance board	1
37	Control transformer	1
38	Mounting plate	1
39	Main control board	1
40	IGBT module	2
41	Capacitor mounting board	1
42	Driver board	1