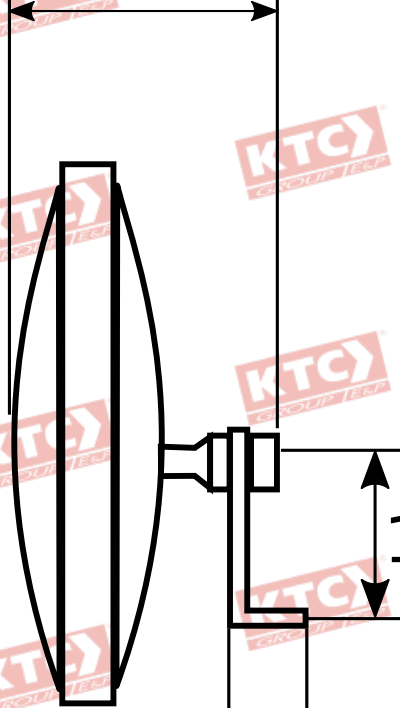


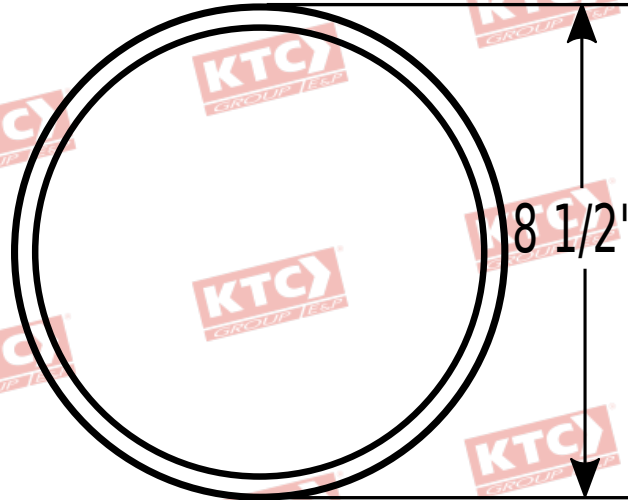
330-0008-S

$2 \frac{1}{4}"$



$1 \frac{5}{8}"$

$1 \frac{3}{8}"$



$8 \frac{1}{2}"$

Unit: in